

Igo MA21

 **product
guide**



features

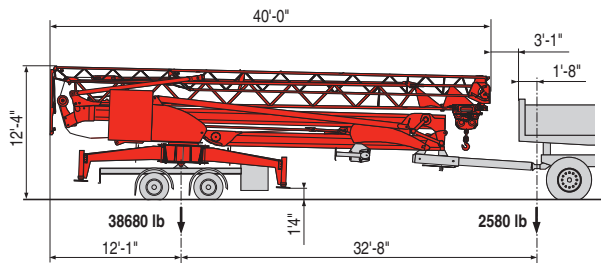
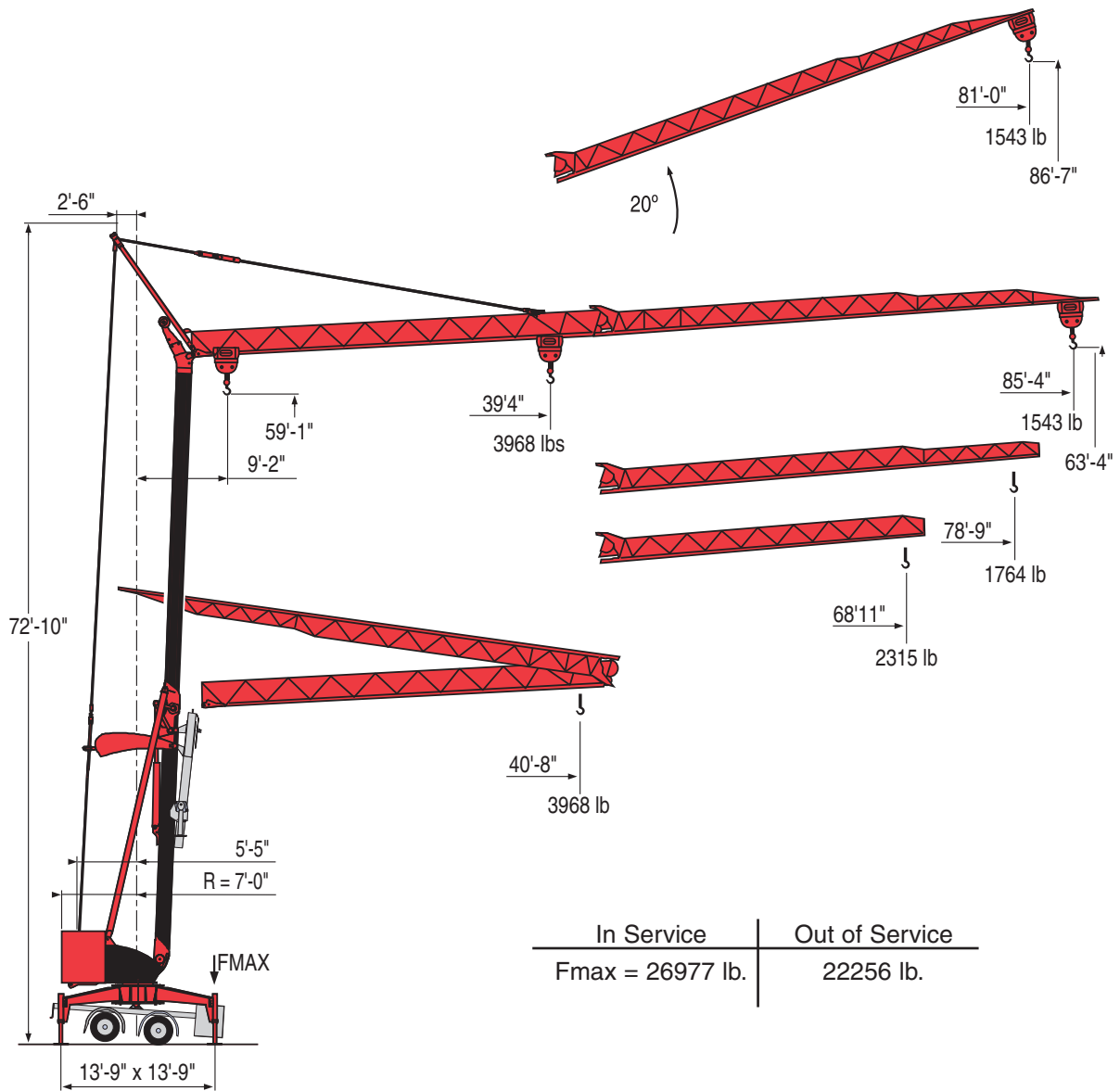
- 3,968 lb. maximum capacity
- 85'-4" maximum operating hook radius
- 86'-7" maximum hook height with jib set at 20 degrees
- 63'-4" maximum hook height with jib horizontal
- Maniowoc Crane Care comprehensive Support

contents

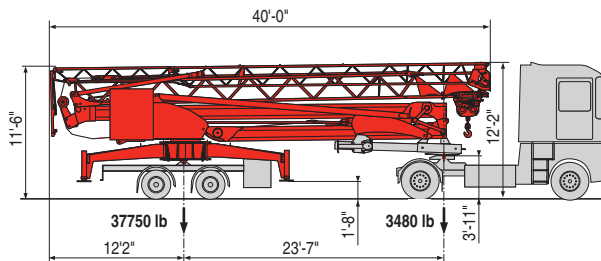
Outline Dimensions	2
Outline Dimensions	3
Rated Load Charts Mechanical Data	4
CraneCare	5

**Conforms to
ANSI B 30.5**

outline dimensions

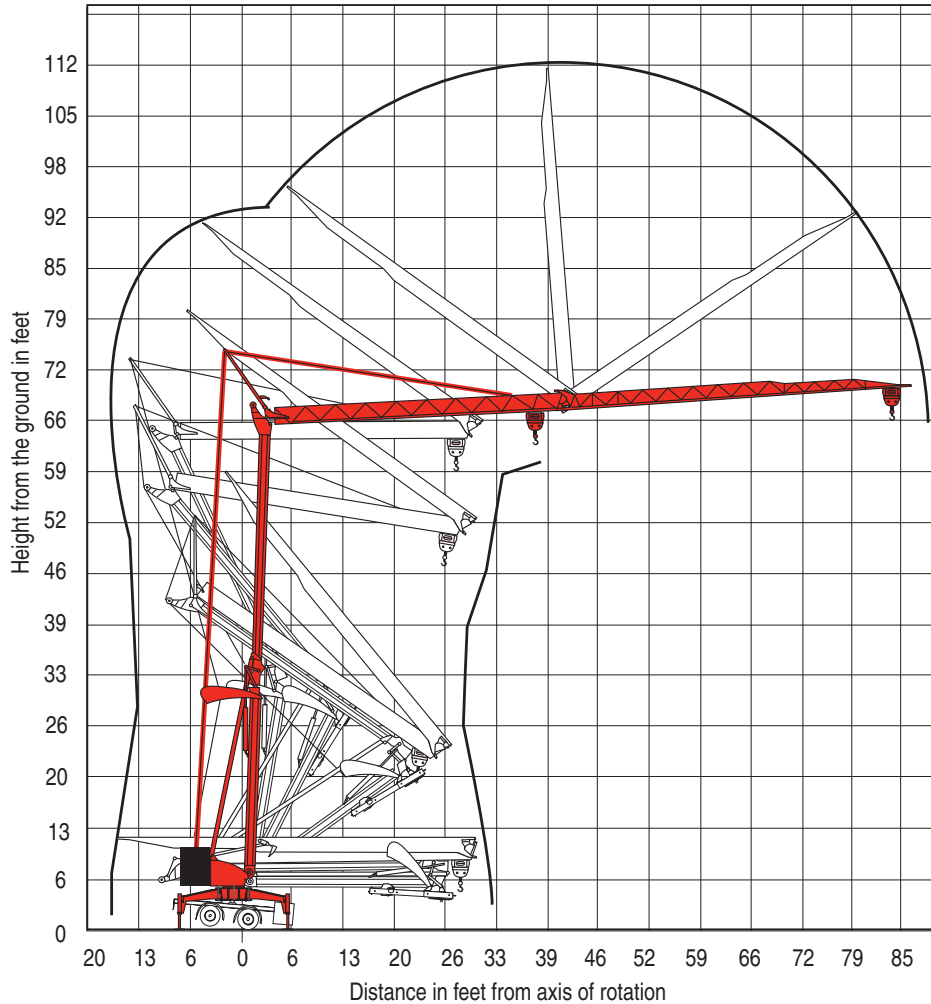


Width in travel mode
8'-6"



Igo MA21

outline dimensions



mechanical data

Igo MA21

Function	Hoist Type	Hoist Type	Speed vs Weight	2-part			Motor (hp)	Motor (kW)	
				1st Gear	2nd Gear	3rd Gear			
Hoist	8 LVF 9 Optima	220 V 21 A <small>single phase</small>	ft/min lbs	12 3,968	23 3,968	53 1,543	60 1,543	119 3.3	2.4
		220 V 34 A <small>single phase</small>	ft/min lbs	12 3,968	37 3,968	53 1,543	83 1,543	119 5.2	3.8
		480 V	ft/min lbs	11 3,968	53 3,968	119 1,543	119 1,543	7.5	5.5
Trolley	1 DVF 4-1		ft/min	119 (1,543 lbs) / 92 (3,968 lbs)			1.5	1.1	
Swing	RVF 20		rpm	1.0			1.5	1.1	

Power Requirements: 220 V (+6% or -10%) 60 Hz measured at turn table.

Amperage: 8 LVF 9 (2.4 kW): 21 Amp (single phase)

Amperage: 8 LVF 9 (3.8 kW): 34 Amp (single phase)

Power Requirements: 480 V (+6% or -10%) 60 Hz measured at turn table.

Amperage: 8 LVF 9: 14 Amp (3 phase service with ground)

Igo MA21

CraneCARE

CraneCARE is Manitowoc's complete service and support program. Incorporated into this program are service training, immediate parts availability, professional field service, and technical support and documentation. CraneCARE is available for every one of the thousands of cranes operating all over the world.

That's dedication and devotion that you won't get anywhere else.

That's **CraneCARE**.

Service Training

A certified Manitowoc service specialist works with you in your training facility or in the field to ensure that you know how to achieve maximum performance, dependability, and years from your cranes.

A reputable Manitowoc Service technician comes to you to provide valuable training to all distributors on the crane's LMI system.

Parts Availability

Genuine Manitowoc replacement parts may be obtained through your MCG distributor on a regular basis.

Field Service

Factory-trained service experts are always ready to help maintain your crane's peak performance.

For a worldwide listing of dealer locations, please consult our website at:
www.manitowoccranes.com.

Technical Support

Manitowoc's dealer network and factory personnel are available 24 hours a day, 7 days a week, 365 days a year to answer your technical questions and more.

For a worldwide listing of dealer locations, please consult our website at:
www.manitowoccranes.com.

Technical Documentation

Manitowoc boasts an extensive, easy-to-understand library of documentation.

A complete set of Operator's parts and service manuals are included with each crane.

Additional copies are available through your Authorized Manitowoc Distributor.

Igo MA21

Manitowoc Crane Group - Americas

Manitowoc, Wisconsin Facility
Tel: [Int + 001] 920 684 6621
Fax: [Int + 001] 920 683 6277
Shady Grove, Pennsylvania Facility
Tel: [Int + 001] 717 597 8121
Fax: [Int + 001] 717 597 4062

Manitowoc Crane Group - EMEA

Europe Middle East & Africa
Tel: [Int + 33] (0) 4 72 18 20 20
Fax: [Int + 33] (0) 4 72 18 20 00

Manitowoc Crane Group - UK

Europe Middle East & Africa (Parts & Service)
Tel: [Int + 44] (0) 191 565-6281
Fax: [Int + 44] (0) 191 564-0442

Manitowoc Crane Group - Germany

(Sales, Parts & Service)
Tel: [Int + 49] (0) 2173 8909-0
Fax: [Int + 49] (0) 2173 8909-30

Manitowoc Crane Group - France

France & Africa (Sales, Parts & Service)
Tel: [Int + 33] (0) 1 303-13150
Fax: [Int + 33] (0) 1 303-86085

Manitowoc Crane Group - Netherlands

(Sales, Parts & Service)
Tel: [Int + 31] (0) 76 578 39 99
Fax: [Int + 31] (0) 76 578 39 78

Manitowoc Crane Group - Italy

Italy & Southern Europe (Sales, Parts & Service)
Tel: [Int + 39] (0) 331 49 33 11
Fax: [Int + 39] (0) 331 49 33 30

Manitowoc Crane Group - Portugal

Portugal & Spain (Sales, Parts & Service)
Tel: [Int + 351] (0) 22 968 08 89
Fax: [Int + 351] (0) 22 968 08 97

Manitowoc Crane Group - Singapore

Asia/Pacific excl China (Sales, Parts & Service)
Tel: [Int + 65] 6861-7133
Fax: [Int + 65] 6862-4040 / 4142

Manitowoc Crane Group - Shanghai

China (Sales, Parts & Service)
Tel: [Int + 86] (0) 21-64955555
Fax: [Int + 86] (0) 21-64852038

Manitowoc Crane Group - Beijing

China (Sales, Parts & Service)
Tel: [Int + 86] (0) 10 646-71690
Fax: [Int + 86] (0) 10 646-71691

Manitowoc Crane Group - Middle East

(Sales)
Tel: [Int + 971] (0) 4 348-4478
Fax: [Int + 971] (0) 4 348-4478
(Parts & Service)
Tel: [Int + 973] (0) 9 660-899
Fax: [Int + 973] (0) 2 707-740

Distributed By:

